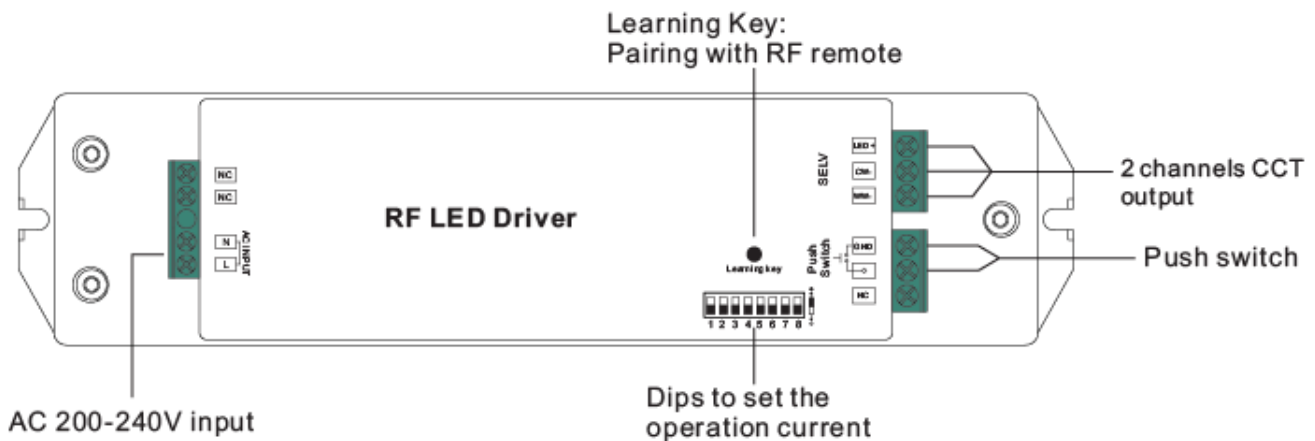


# 50W RF 2 Channels LED Driver (constant current)



Important: Read All Instructions Prior to Installation



## Product Data

### Output

Selectable Current	250mA	300mA	350mA	400mA	450mA	500mA	600mA	700mA
DC Voltage Current Range	8-48V	8-48V	8-48V	8-48V	8-48V	8-48V	8-48V	8-48V
Selectable Current	800mA	900mA	1000mA	1100mA	1200mA	1300mA	1400mA	1500mA
DC Voltage Range	8-48V	8-48V	8-48V	8-46V	8-41V	8-38V	8-35V	8-33V
Rated Power	50W							

### Input

Voltage Range	200-240V AC
Frequency	50/60Hz
Power Factor (Typ.)	> 0.9
Efficiency (Typ.)	87% @ 230VAC
Input Current (Typ.)	0.27A @ 230VAC
Inrush Current (Typ.)	COLD START Max. 2A @ 230VAC

### Protection

Short Circuit	Yes, recovers automatically after fault condition is removed
Over Voltage	Yes, recovers automatically after fault condition is removed
Over Temperature	Yes, recovers automatically after fault condition is removed

## SRP-1009-50CCT

### Environment

Working Temp.	-20°C ~ +45°C
Max. Case Temp.	85°C
Working Humidity	10% ~ 95% RH non-condensing
Storage Temp. & Humidity	-40°C ~ +80°C , 10% ~ 95% RH

### Safety & EMC

Safety Standards	ENEC EN61347-1, EN61347-2-13 approved
Withstand Voltage	I/P-O/P: 3.75KVAC
EMC Emission	EN55015, EN61000-3-2, EN61000-3-3
EMC Immunity	EN61547, EN61000-4-2,3,4,5,6,8,11, surge immunity Line-Line 1KV

### Others

MTBF	193.6K hrs min. @ 230VAC full load and 25°C ambient temperature
Dimension	210 x 50 x 32mm (L*W*H)

### Dips to set the operation current



	1	2	3	4	5	6	7	8
250mA	○	●	○	○	○	○	○	○
300mA	○	○	○	○	○	○	○	○
350mA	○	○	○	○	○	○	○	○
400mA	○	○	○	○	○	○	○	○
450mA	○	○	○	○	○	○	○	○
500mA	○	○	○	○	○	○	○	○
600mA	○	○	○	○	○	○	○	○
700mA	○	○	○	○	○	○	○	○

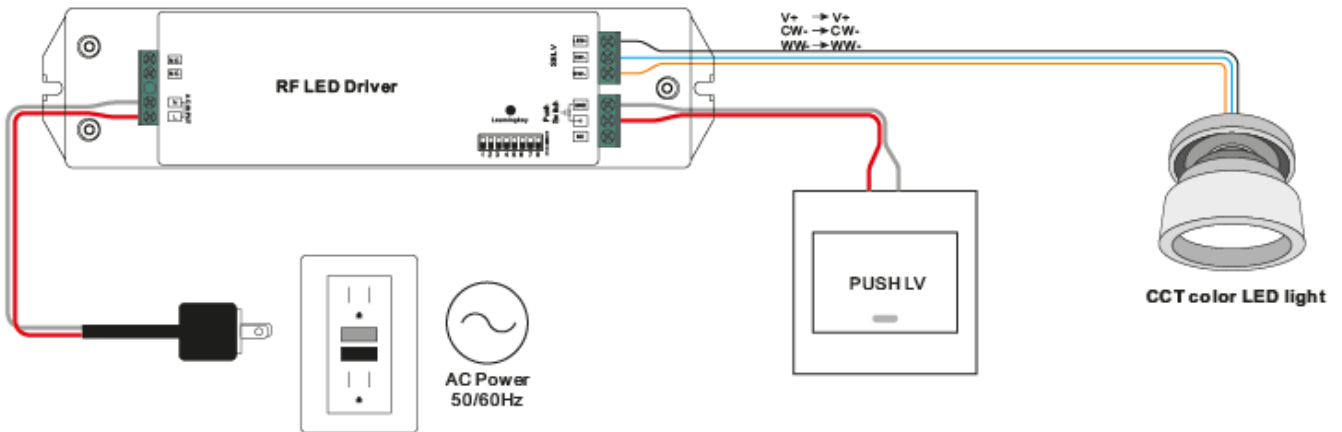
	1	2	3	4	5	6	7	8
800mA	○	○	○	○	○	○	○	○
900mA	○	○	○	○	○	○	○	○
1000mA	○	○	○	○	○	○	○	○
1100mA	○	○	○	○	○	○	○	○
1200mA	○	○	○	○	○	○	○	○
1300mA	○	○	○	○	○	○	○	○
1400mA	○	○	○	○	○	○	○	○
1500mA	○	○	○	○	○	○	○	○

- Dimmable LED driver with RF control
- Max. output power 50W total
- 2 channels 250-1500mA constant current output
- Dips to set the operation current
- Class power supply, full isolated plastic case
- High power factor and efficiency
- To switch and dim single color LED lighting
- Compatible with a variety of CCT color RF remotes
- IP20 rating
- Suitable for indoor LED lighting applications
- Radio Frequency : 868/869.5/916.5/434mhz

### Safety & Warnings

- DO NOT install with power applied to the device.
- DO NOT set operation current with power applied to the device.
- DO NOT expose the device to moisture.

**Wiring diagram**



1. Do wiring according to connection diagram.
2. Pair RF Receiver with RF remote: please refer to the instruction of the remote that you would like to pair with.
3. Delete the pairing:
  - (1)Wire up the RF receiver correctly, power on.
  - (2)Press and hold down the " Learning Key" button on receiver for over 3 seconds until the connected light flashes, which means well deleted.

**PUSH DIM:**

While connected with PUSH LV, click the button to switch ON/OFF lights. Press and hold down the button to increase/decrease light intensity.

**Product Dimension**

